

## SERVICE

### 2511F, 2511H, AND 2511HM TELEPHONE SETS

**1. GENERAL**

**1.01 Reissued to:**

- Show 2511F and H telephone sets MD, Fig. 1
- Add D16J mounting cord, Fig. 2
- Delete 2511FM telephone set information (never manufactured).

**TABLE A**

**POLARITY GUARD CONNECTIONS**

**[819040528 (P-90D052) GUARD ASSEMBLY]**

LEAD	COLOR	REMOVE FROM	CONNECT TO	
		NET.	POLARITY GUARD	NET.
Dial	BK G-W	RR C	T S	
Line Switch	W	C	S	
Polarity Guard	G W			RR C

*Note:* For use when specified by local instructions for end-to-end signaling installations.

**NOTICE**

Not for use or disclosure outside the Bell System except under written agreement

SECTION 502-533-403

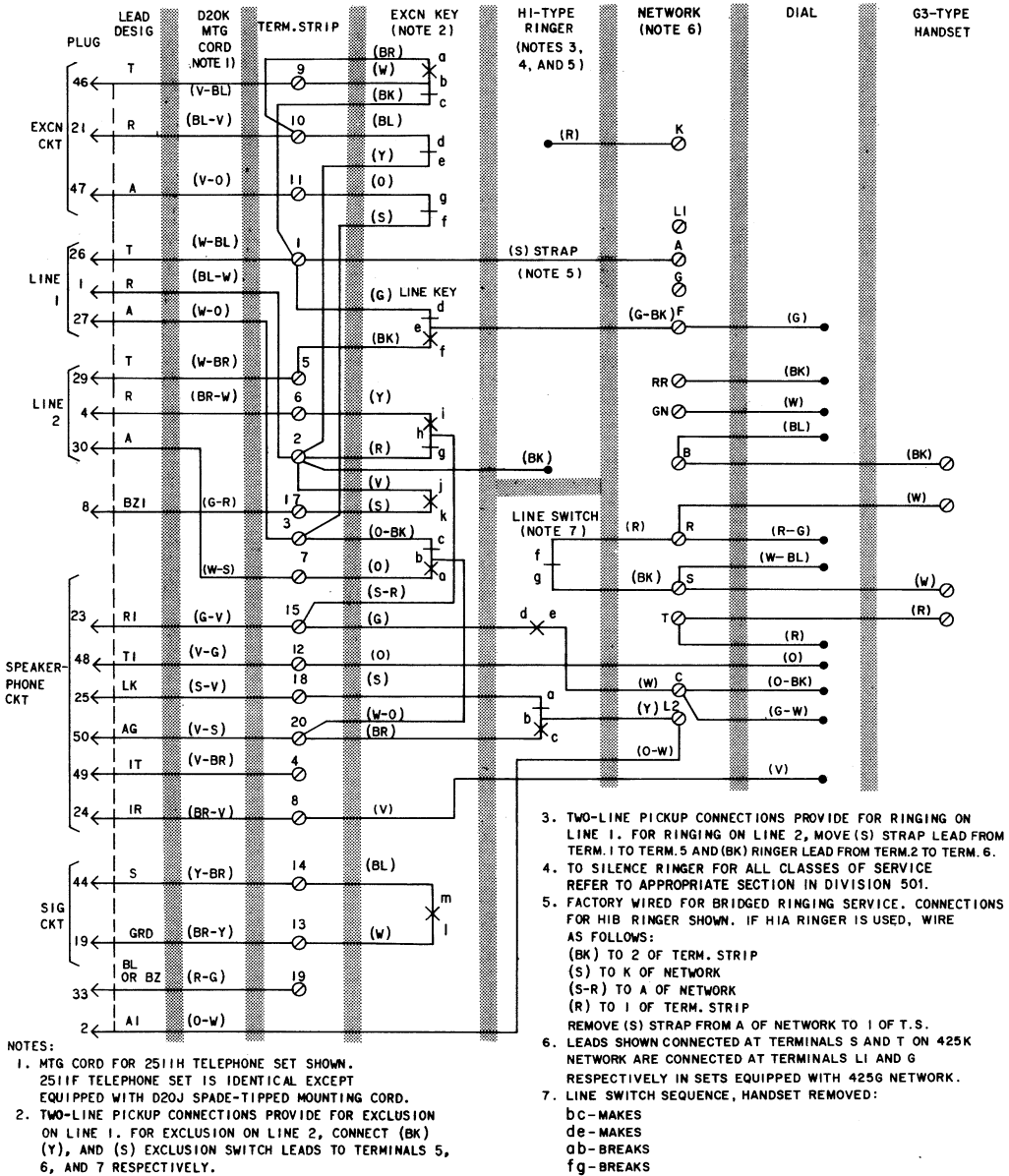


Fig. 1—2511F (MD) and H (MD) Telephone Sets, Connections (Factory Wired)

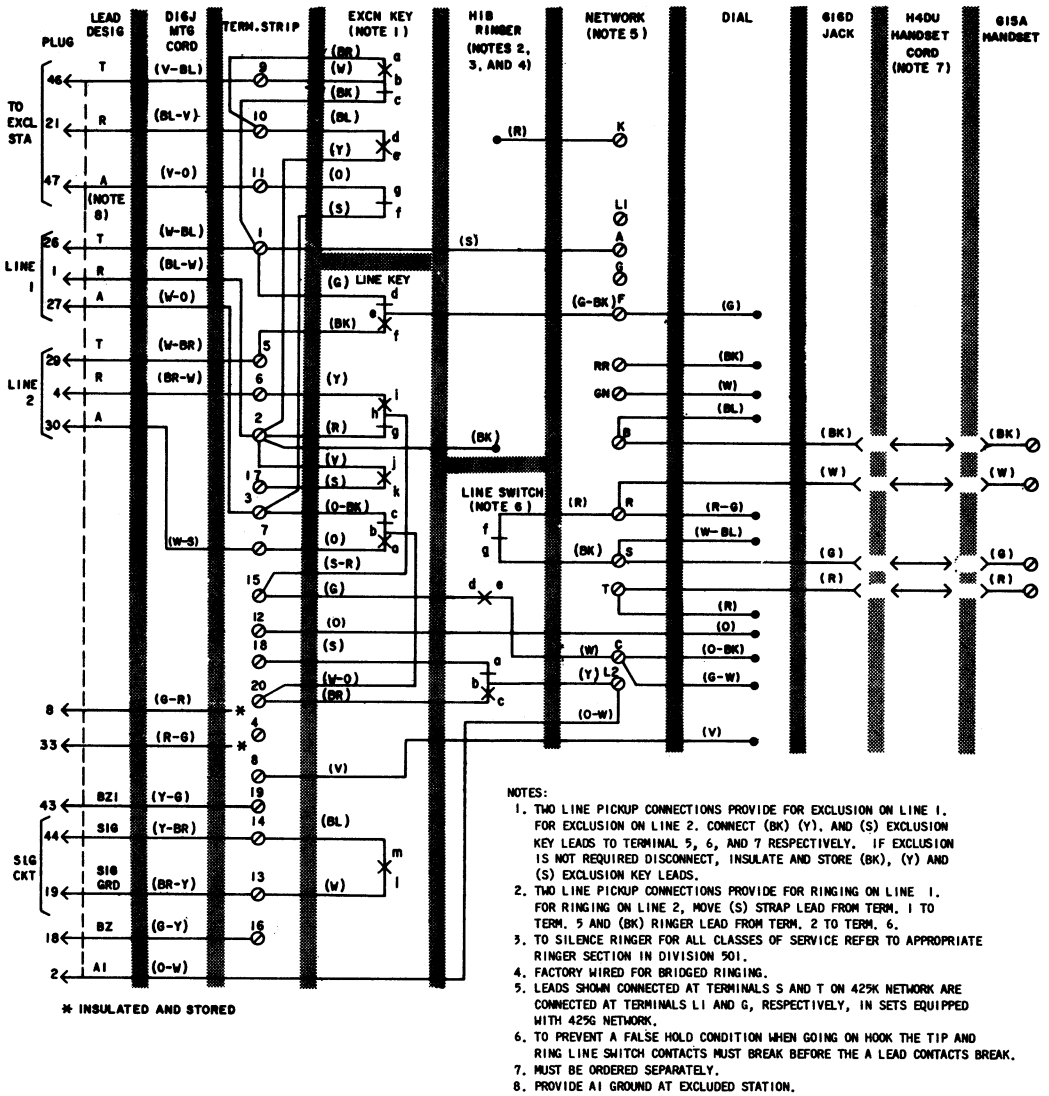


Fig. 2—2511HM Telephone Set, Connections (Factory Wired)